

EST.
1877

Slumber

Travel Cot

IMPORTANT

BEFORE ASSEMBLING THIS COT READ AND UNDERSTAND THE INSTRUCTIONS.

DO NOT USE MATTRESS OTHER THAN THE ONE SUPPLIED BY THE MANUFACTURER. INCORRECT MATTRESS CAN CAUSE DEATH.

USE ONLY ACCESSORIES AS RECOMMENDED BY THE MANUFACTURERS.

ENSURE THE TOP RAILS AND BASE ARE FULLY LOCKED.

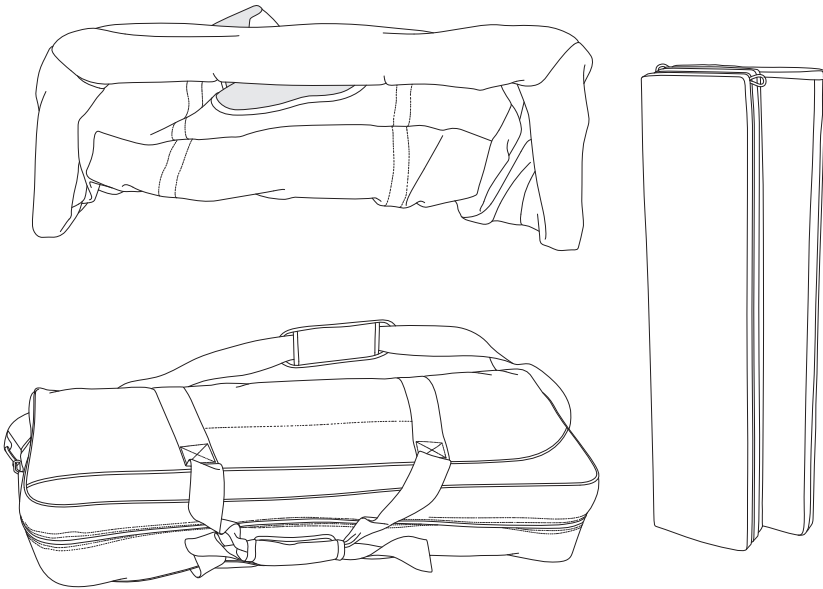
STOP USING THIS COT IF ANY PART OF THE COT IS BROKEN, TORN OR MISSING.

KEEP THESE INSTRUCTIONS IN A SAFE PLACE FOR FUTURE REFERENCE.

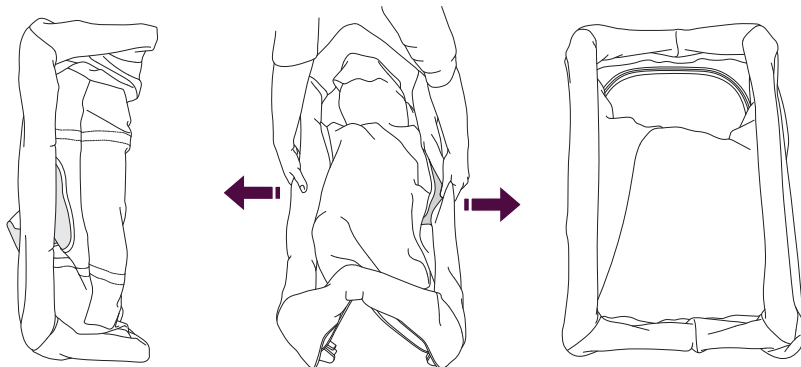
Silver Cross[®]

IMPORTANT – READ THE INSTRUCTIONS CAREFULLY BEFORE USE AND KEEP FOR FUTURE REFERENCE

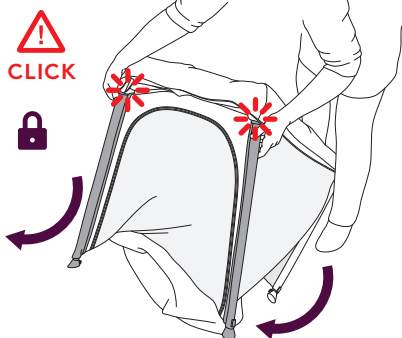
1.1



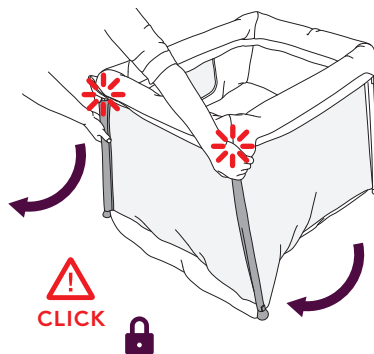
2.1



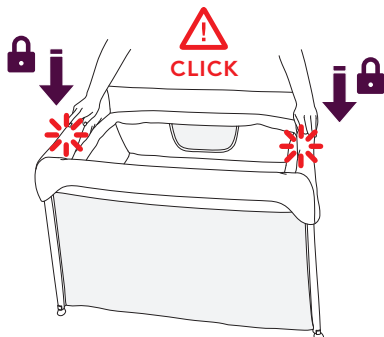
2.2



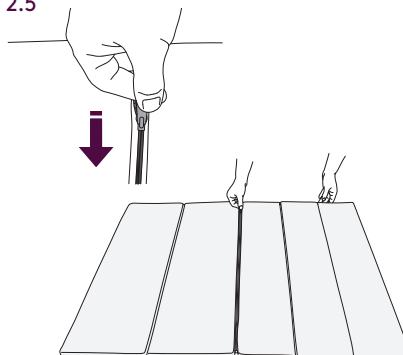
2.3

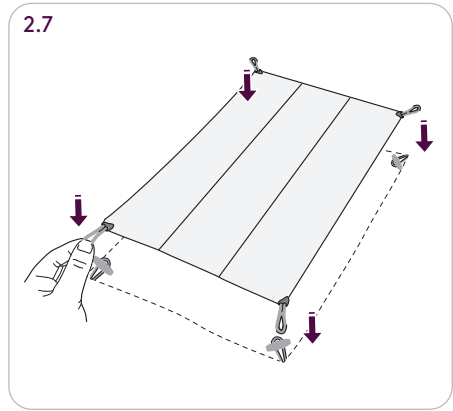
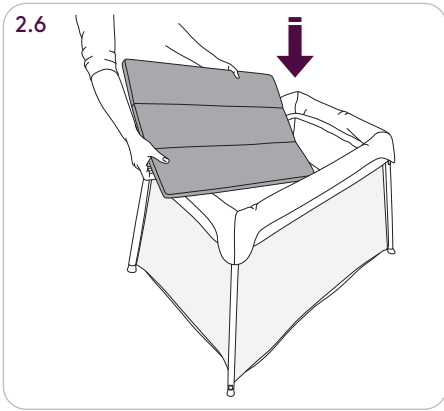


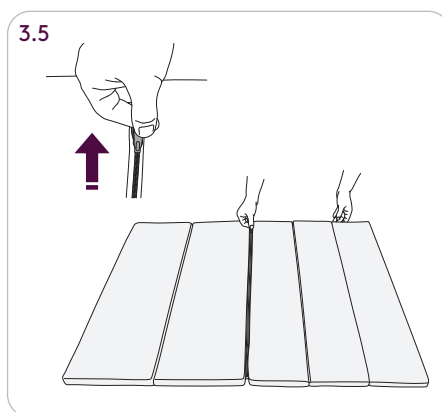
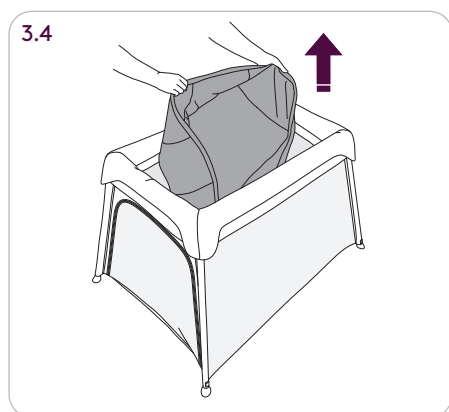
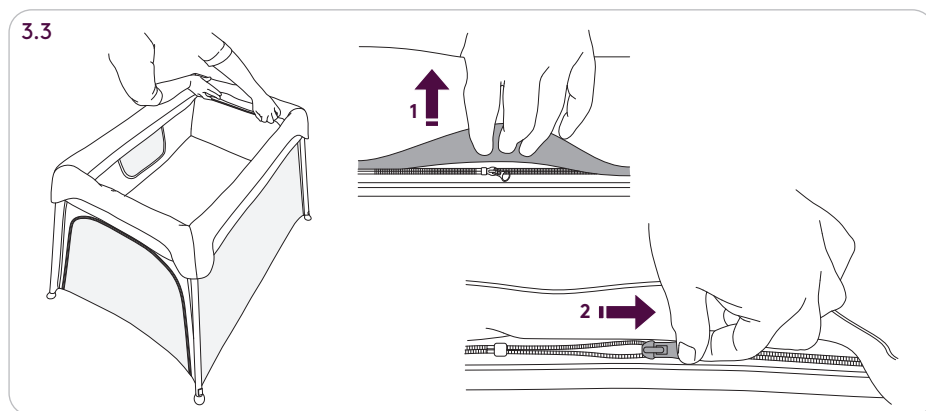
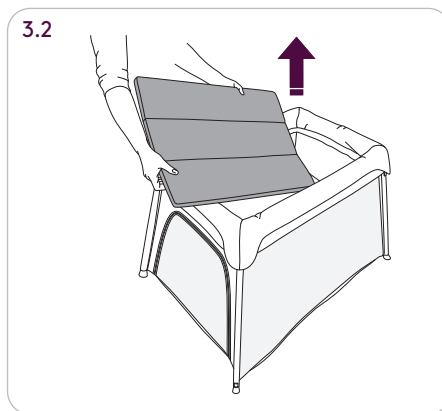
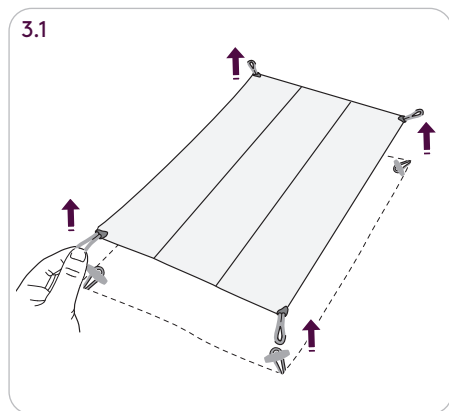
2.4

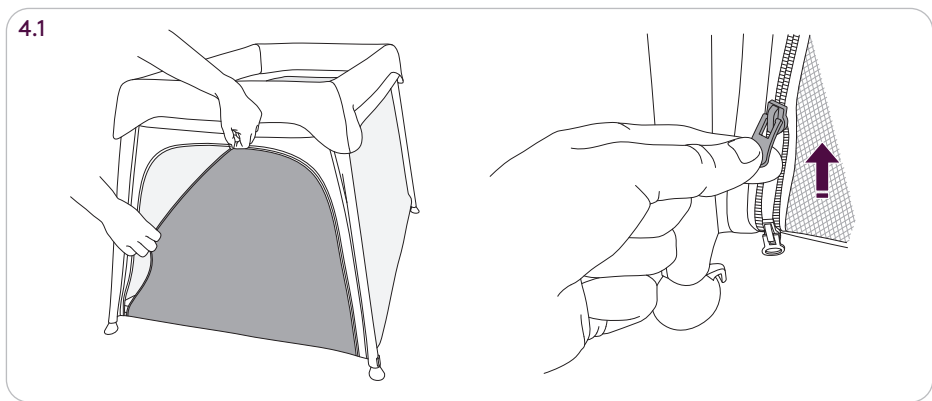
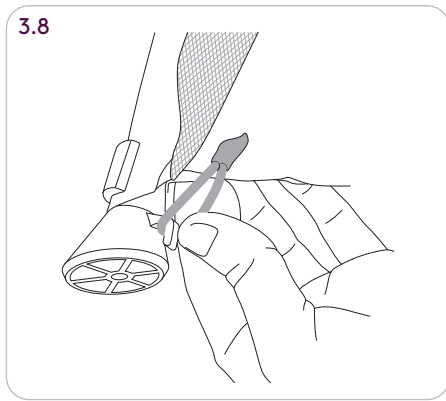
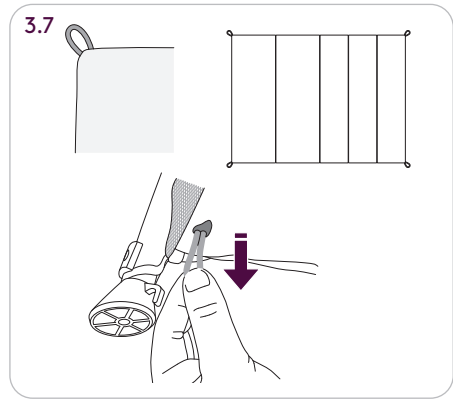
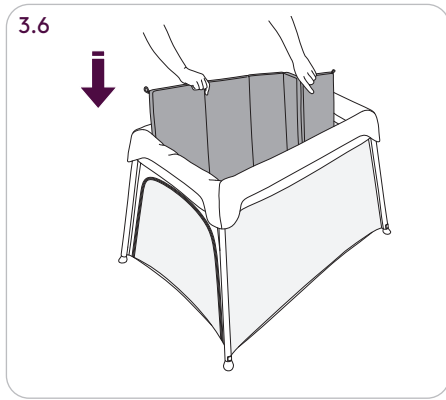


2.5

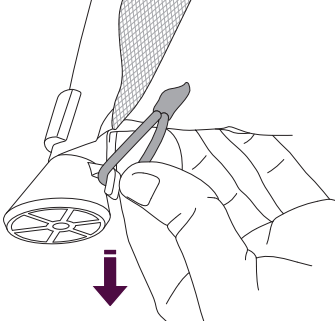




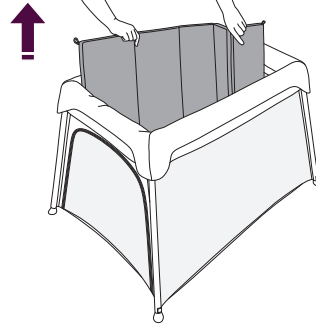




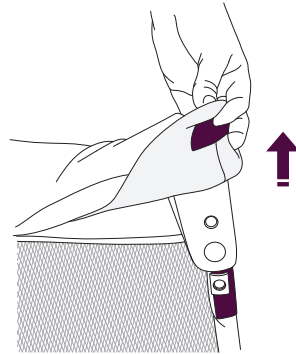
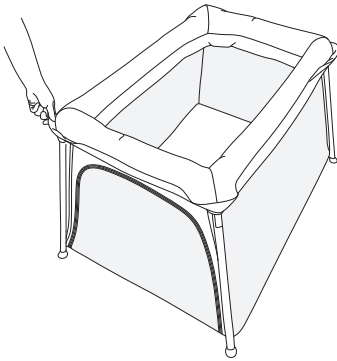
5.1



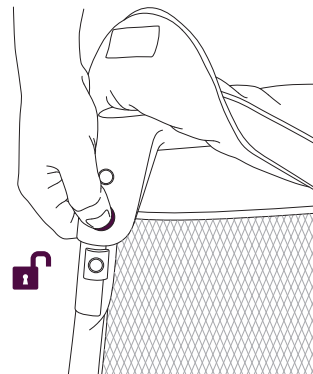
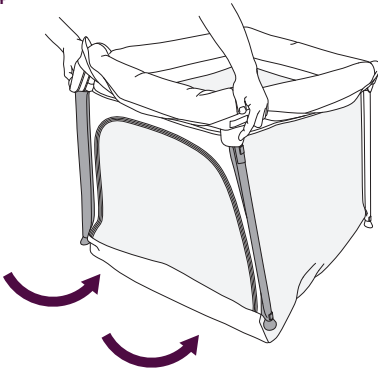
5.2

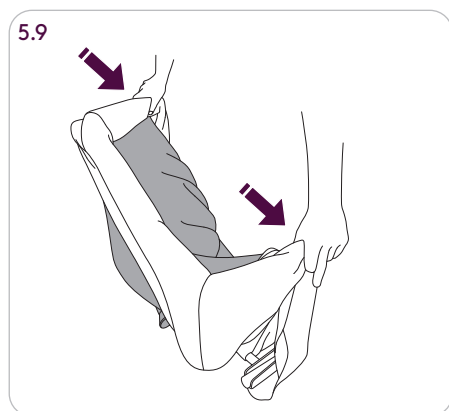
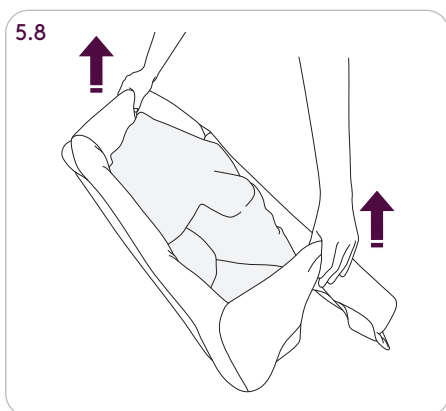
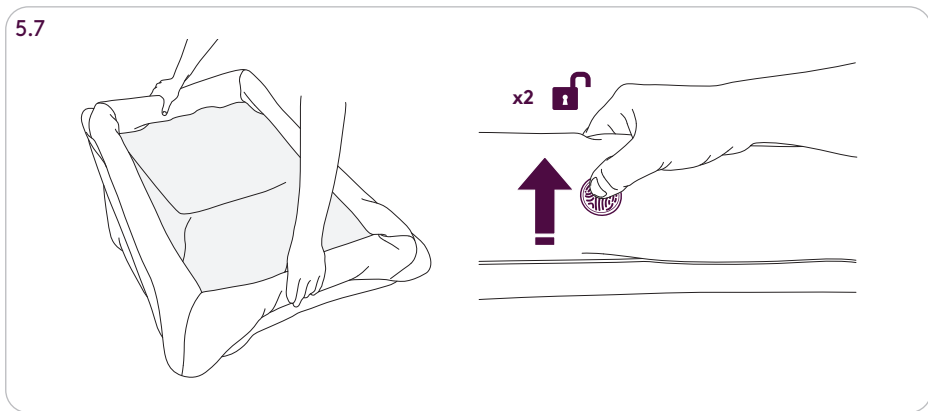
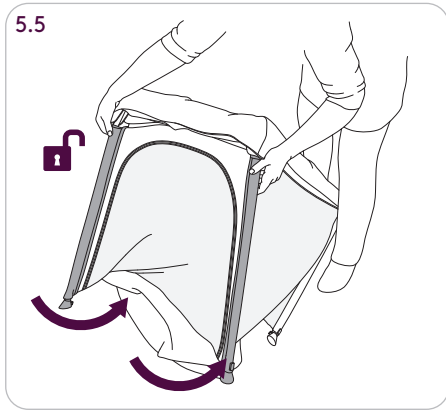


5.3

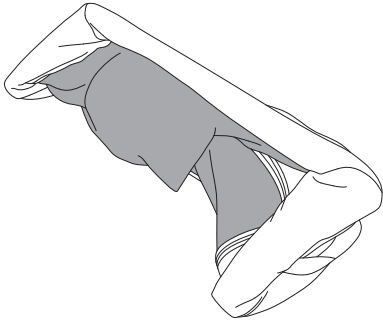


5.4

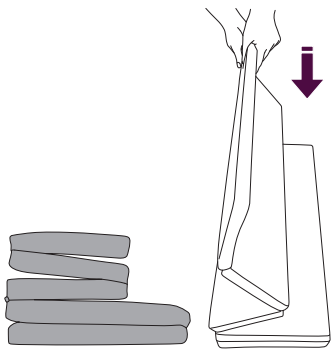




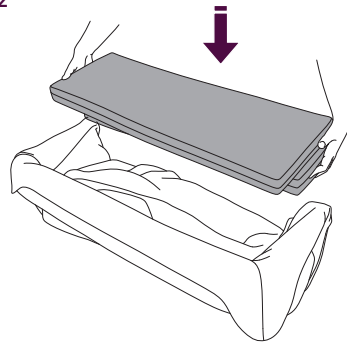
5.10



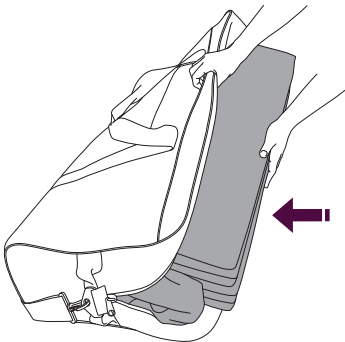
6.1



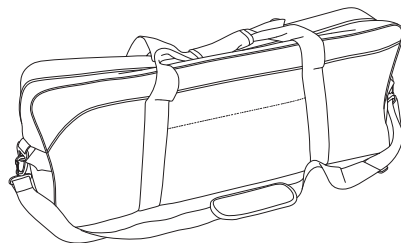
6.2



6.3



6.4



Slumber Travel Cot Instruction Manual Supplement

IMPORTANT: INSTRUCTIONS FOR USE

1. **PRODUCT CONTENTS:** TRAVEL BAG;
COT FRAME; 2-PART MATTRESS;
NEW-BORN INSERT
2. SETUP THE NEWBORN INSERT,
UNFOLD THE FRAME AND LOCK THE
FRAMEWORK IN PLACE, UNZIP THE
MATTRESS TO SPLIT IN FOR
NEWBORN USE, ATTACH THE
MATTRESS TO THE TOGGLES IN
EACH CORNER OF THE NEW INSERT.
3. SETUP THE PLAYPEN/COT, DETACH
THE TOGGLES FROM AT EACH
CORNER OF THE NEWBORN
MATTRESS, UNZIP TO REMOVE THE
NEWBORN INSERT, ZIP TOGETHER
THE MATTRESS HALVES, ATTACH
THE MATTRESS TO THE TOGGLES IN
EACH BASE CORNER OF THE
PLAYPEN/COT
4. OPEN AND CLOSE THE PLAYPEN
ENTRANCE WITH THE ZIP
5. FOLD THE FRAME FOR
TRANSPORTATION, DETACH THE
MATTRESS TO THE TOGGLES IN
EACH BASE CORNER OF THE
PLAYPEN/COT, REMOVE THE
MATTRESS, LIFT THE FABRIC AT
EACH CORNER TO EXPOSE THE LEG
FOLD RELEASE BUTTONS, FOLD THE
LEGS INWARDS, PRESS THE HIDDEN
BUTTON IN THE MIDDLE OF EACH
SHORT BUTTON IN THE MIDDLE OF
EACH SHORT TOP FRAME TO FOLD IT
6. PREPARE MATTRESS AND FOLDED
FRAME FOR TRANSPORTATION;
FOLD THE MATTRESS AND COMBINE
WITH THE FOLDED FRAME
7. SLIDE BOTH ITEMS INTO THE TRAVEL
BAG.

**THIS DOCUMENT MUST BE USED
IN CONJUNCTION WITH THE
ORIGINAL INSTRUCTION
MANUAL**

WARNING

- **CHECK THIS PRODUCT
REGULARLY BEFORE USING
IT, AND DO NOT USE IT IF
ANY PART IS LOOSE OR
MISSING OR IF THERE ARE
ANY SIGNS OF DAMAGE.**
- **DO NOT SUBSTITUTE
PARTS. CONTACT THE
MANUFACTURER IF
REPLACEMENT PARTS OR
ADDITIONAL INSTRUCTIONS
ARE NEEDED.**

WARNING

- **INFANT SHOULD BE PLACED
TO SLEEP ON A FIRM, FLAT
SURFACE.**
- **PLACE INFANT ON THEIR
BACK WHEN USING THIS
PRODUCT**
- **DO NOT PUT OBJECTS OR
ACCESSORIES IN AN
INFANT'S SLEEP
ENVIRONMENT**
- **DO NOT PLACE THIS
PRODUCT NEAR A BLIND,
CORD, STRAP OR SIMILAR
ITEM THAT COULD BECOME
WRAPPED AROUND AN
INFANT'S NECK**

IMPORTANT: KEEP THESE INSTRUCTIONS FOR FUTURE REFERENCE

Safety notes

Your Slumber Travel Cot is a high quality Silver Cross product.

It complies with AS/NZS 2195:2010. With correct use and maintenance will give good service. If, however you should have any problems with your Product, please contact your Silver Cross retailer who will take appropriate action.

This travel cot is suitable for children from birth to 36 months. Upper bassinet is suitable for children from birth to 9 kg.

Only use replacement parts and accessories supplied or recommended by Silver Cross.

⚠️ WARNING
BEFORE ASSEMBLING THIS COT READ AND UNDERSTAND THE INSTRUCTIONS.

⚠️ WARNING
DO NOT USE MATTRESS OTHER THAN THE ONE SUPPLIED BY THE MANUFACTURER.

⚠️ WARNING
INCORRECT MATTRESS CAN CAUSE DEATH.

⚠️ WARNING
USE ONLY ACCESSORIES AS RECOMMENDED BY THE MANUFACTURERS.

⚠️ WARNING
STOP USING THIS COT IF ANY PART OF THE COT IS BROKEN, TORN OR MISSING.

⚠️ WARNING
KEEP THESE INSTRUCTIONS IN A SAFE PLACE FOR FUTURE REFERENCE.

⚠️ WARNING
USE ONLY ACCESSORIES AS RECOMMENDED BY THE SUPPLIER.

⚠️ WARNING
ENSURE THE TOP RAILS AND BASE ARE FULLY LOCKED.

⚠️ WARNING
DO NOT USE THIS COT IF ANY PART OF THE COT IS BROKEN, TORN OR MISSING.

⚠️ WARNING
NEVER ADD AN EXTRA MATTRESS AS THIS MAY CAUSE SUFFOCATION.

⚠️ WARNING
FOLLOW THE ASSEMBLY AND LOCKING PROCEDURES ON INSTRUCTION MANUAL.

⚠️ WARNING
CHECK BEFORE EACH USE THAT THE COT IS CORRECTLY ASSEMBLED AND LOCKING DEVICES ARE FULLY ENGAGED.

⚠️ WARNING

THIS PRODUCT COMPLIES WITH AS/NZS 2195:2010

⚠️ WARNING

THIS BASSINET SHOULD BE REMOVED BEFORE THE CHILD CAN SIT UP.

⚠️ WARNING

NEVER PLACE A CHILD IN THE COT WHEN THIS BASSINET IS IN PLACE.

⚠️ WARNING

USE ONLY THE MATTRESS SUPPLIED BY THE MANUFACTURER.

⚠️ WARNING

INCORRECT MATTRESS CAN CAUSE DEATH

⚠️ WARNING

KEEP CHILDREN AWAY WHILE ASSEMBLING/DISASSEMBLING THE COT.

⚠️ WARNING

DO NOT LEAVE ANYTHING ON THE FOLDING COT (SUCH AS TOYS) THAT PROVIDE A FOOTHOLD.

⚠️ WARNING

DO NOT USE THE FOLDING COT NEAR NAKED HEAT SOURCES, BAR HEATERS, OPEN FIRES OR EXPOSED FLAMES.

⚠️ WARNING

KEEP THE FOLDING COT CLEAR OF TRAILING CABLES AND HANGING CORDS.

⚠️ WARNING

KEEP MEDICATION AND SMALL ITEMS THAT A CHILD COULD CHOKE ON, AWAY FROM THE COT.

⚠️ WARNING

FOLDING COTS WITH PADDED RIMS SHOULD NOT BE USED IF THE COVERING MATERIAL HAS BEEN BITTEN THROUGH.

⚠️ WARNING

TO PREVENT FALLS, THE BASSINET MUST NOT BE USED ONCE A CHILD CAN SIT UP.

⚠️ WARNING

NEVER PLACE A CHILD IN THE COT WHEN THE BASSINET IS IN PLACE.

⚠️ WARNING

INFANTS CAN SUFFOCATE

- IN GAPS BETWEEN A MATTRESS TOO SMALL OR TOO THICK AND PRODUCT SIDES
- ON SOFT BEDDING, NEVER ADD A MATTRESS, PILLOW, COMFORTER, OR PADDING.

⚠️ WARNING

FAILURE TO FOLLOW THESE WARNINGS AND THE INSTRUCTIONS COULD RESULT IN SERIOUS INJURY OR DEATH.

⚠️ WARNING

MAKE SURE LATCHES ARE SECURE.

⚠️ WARNING

CHILD CAN BECOME ENTRAPPED AND DIE WHEN IMPROVISED NETTING OR COVERS ARE PLACED ON TOP OF PRODUCT. NEVER ADD SUCH ITEMS TO CONFINE CHILD IN PRODUCT.

⚠️ WARNING

ALWAYS PROVIDE THE SUPERVISION NECESSARY FOR THE CONTINUED SAFETY OF YOUR CHILD. WHEN USED FOR PLAYING, NEVER LEAVE CHILD UNATTENDED.

⚠️ WARNING

TO REDUCE THE RISK OF SIDS, PAEDIATRICIANS RECOMMEND HEALTHY INFANTS BE PLACED ON THEIR BACK TO SLEEP, UNLESS OTHERWISE ADVISED BY YOUR PHYSICIAN.

⚠️ WARNING

BE AWARE OF THE RISK OF OPEN FIRE AND OTHER SOURCES OF STRONG HEAT, SUCH AS ELECTRIC BAR FIRES, GAS FIRES, ETC. IN THE NEAR VICINITY OF THE COT.

⚠️ WARNING

DO NOT LET YOUR CHILD CLIMB ON THIS PRODUCT

⚠️ WARNING

NEVER LEAVE YOUR CHILD UNATTENDED.

⚠️ WARNING

THIS PRODUCT IS SUITABLE FOR A CHILD WHO CANNOT SIT UP BY ITSELF, ROLL OVER AND CANNOT PUSH ITSELF UP ON ITS HANDS AND KNEES. MAXIMUM WEIGHT OF THE CHILD: 9 KG. (NEW BORN SECTION)

⚠️ WARNING

ALWAYS ENSURE THAT THE ZIP OPENING IS FULLY CLOSED WHEN THE TRAVEL COT IS USED AS AN UNATTENDED SLEEPING DEVICE.

Care and maintenance

Frame - Always check your Silver Cross Travel Cot for signs of wear. Polish metal work with a clean, dry cloth.

Fabric - For fabric wash care instructions please refer to the care guide included with your Silver Cross Travel Cot.

Keep away from direct heat and strong sunlight. A certain degree of fading may occur over time through everyday use. Never machine wash, tumble dry, iron or bleach.

NOTES

NOTES

Silver Cross®

Premium Brands Pty Ltd, 10 Capital Court, Braeside Victoria 3195, Australia
silvercross.com.au

IM-RXB-210121-01r03 - SLUMBER - AUSTRALIA